

=fB h* @•
 Liquisys M 2PM223/253
 S + 2 5 3 .3/4ç1N

(ôE =Å9õP Bg/r 0 H P R V H Q V @V6=9õP Bgl34=*eF

86O‡

- ‡ GGG 3êNi
- ‡) /r.39z
- ‡ dÉF, P p&
- ‡ G 3êNi
- ‡ G h Q·H1

)w-

- ‡ 0 H P R V H Q V = fB
- ‡ N-2 2q<üQ%ç«2q3ü3Ü
- ‡ 9zP]é1Ü9eGÁ
- ‡ ?3*BVf*¥
- 2 Vf.:Qj^Â.;Y'Bj
- 2 HëAVQj) c2A\$T
- 2 *¥>]Qj) KŸBí6€
- ‡ ?3*B6o,N
- 2 j-P .q q qY,á *Ã=Š
- 2 =1-ŽdìKŸ>•- /rP = \Đ6€)/=çLfçZT
- 2 Bí6€Y'B,Qj.îNi; C!H1

2àB 2q.3/4ç1N.Õ)ËjÁc2(ñ,y...[ã=O7;§è

- ‡)) <ü1Á) q*-†dìKŸŠÚ.ÔP *B§è
- 2 q6*3dìKŸ)E.ÔP)tl 9ÇEH1µ
- 2 3 , ' >•- 1N
- 2 Vf.;HëGýj-TñQj6€@Ü1N
- 2 *eP & K H P R F O H D Q jÁc26r,NHëGý
- 2 P H'jy,K
- ‡ =O7;jU)Ü-ë§è
- 2 P = \Đ6€)/P H'jy,àm_:g."@V
- 2 @+q,=çL<ühkBgq6+"@Ü\Đ-Ž/ -ŽHëGý-...[ã
- 2 P BgC!H1WáYÁ§èjèP)t S + N;OiP Bg/r."F°P Bg
- 2 P Bg2 Y¥C!H1
- (ùP) /r.39z>•- 1N
- ‡ + \$ 5 7 <ü 3 5 2) , % 8 6 3 \$ ' 3 k *Ç
- ‡ V)rP H'jy,à.ÔP)tl 9Ç ü S + 2 5 3 <üjÄYÓ>•- 1N

,p[\(mWZY>f f

2YA<1ê.7j`0ÇPäLØK

S + *,.ë 2 5 3 *,Gªl.

k j-^Ä.;jī=ī ý2 ,\)\¼H1lµE 9δ(ñQjH1lµj-Tñ).Ö)ËÄ\$T :9-3H1lµ+" *q4hšè S + P 9 <ü
2 5 3 2 5 3 P 9 ý4hqædg\$Ú.Ö)Ëjī=ī.ò@ÜA\$ſÚ)E.Ö)Ëqv`µA\$T ý

Bf5ù

k 9 ſÚ*eP Qb.ò S + +"Qj)±h jÁc2 S + P BgBí6€ ý1ÆFJſÚ.¾jç1N6E€Bf5ù* ý¾fš) (ñ(æF Bí6€
+" ýfÖ?³*B6à\ÚBí6€H`c`f6>H *q4hšè S + /r S + Qj) T³Bí6€H`*eP F 9ust*ø @ÜſÚWáYÁ6ijÁc2
.gNe:†C G\$ſÚST*ÁBí6€Y¹B,FIST ý

f Yí

qædgón6ß9zP BG)Ü/r?³*B) />6€)/(ó.òQj=«L*Ç.Ý ý1ÆFJſÚ.Ö)Ëon6ßFµ(æ) @+q,fæ6€QBß9zQj.¾
jç1N= eÄdEK .è?µpûO"Gýk j-FJ@ÝG».Ö)Ë.¼Hn(óqædgQj<ürDB B Qj=«L*Ç.Ý ýAæ4 .Ö)ËfæZT
(%oDEK 9_+ſÚP) tq6*39æ.Y .òC jèP)tl 9CE ü 3 , ' >•- 1N ü<üHèGý-...[ãdìKÝ9æ,Y ý
QÚ>:jÁc2ª- dEK f Yí k j-^Ä.:fæZT6,,N- ſÚ.Ö)Ë:Ñk fæZTq6*3dìKÝ ü>•- dìKÝ/rHèGý-...[ãdì
KÝſÚ9\Ö)Ë6ß+58ÖjÁc2:Ñk *ÖFI ý

<È6`iì)U-dPäp£,ý,p[\

O"G iò,Yf Yí

jy,àlµTñj4 ſÚ(úqædgST*Ä=i6€lµTñ)é1Ú,kQju¾,iJŽNmjy,à@ÜſÚ.Ö)Ëk j-cNC"jÁc2O"G iò,YfæZT ý
.Ö)Ë*eP q½Y :†AQY<ü8Ö@ B`AQY

O"AàC GªWZY> 6 & 6

P BgCìH1WáYÁP)tCìH1 S + NìOìP Bg<ü."F°P Bg)«jèP)tE =Ä9δP Bg Qjq!|=)A / hk,àF19 +"jé
1Ú ý,àN+58Ö@ÜſÚdì.-=«L*Ç.ÝſÚcNT .Ö[ãA P)t S + P Bg3 3D<ü>E25ſÚ6à\U@+q, ý
FJ3üſÚP BgCìH1WáYÁ 6 & 6 j¾.Ö)ËP)tCìH1NìOìP BgA / ,àN-S c`r , 6) (7 P BgA / ,àN-Gªlò ý

1‡Y C Gª

2 =i6€@ÜpÚ,kſÚ4hB,P Bg*Ç.ÝB .P @ .¾ſÚ2 YæCìH1-...[ã6idì..@+q,=«L*Ç.Ý ý.Ö[ãA P)tP Bg
3 3D ü4 @. ü(òj-Tñ,iTjV/....1Æk <òQj ý

(CE.è.,8ó> ,•0Ç

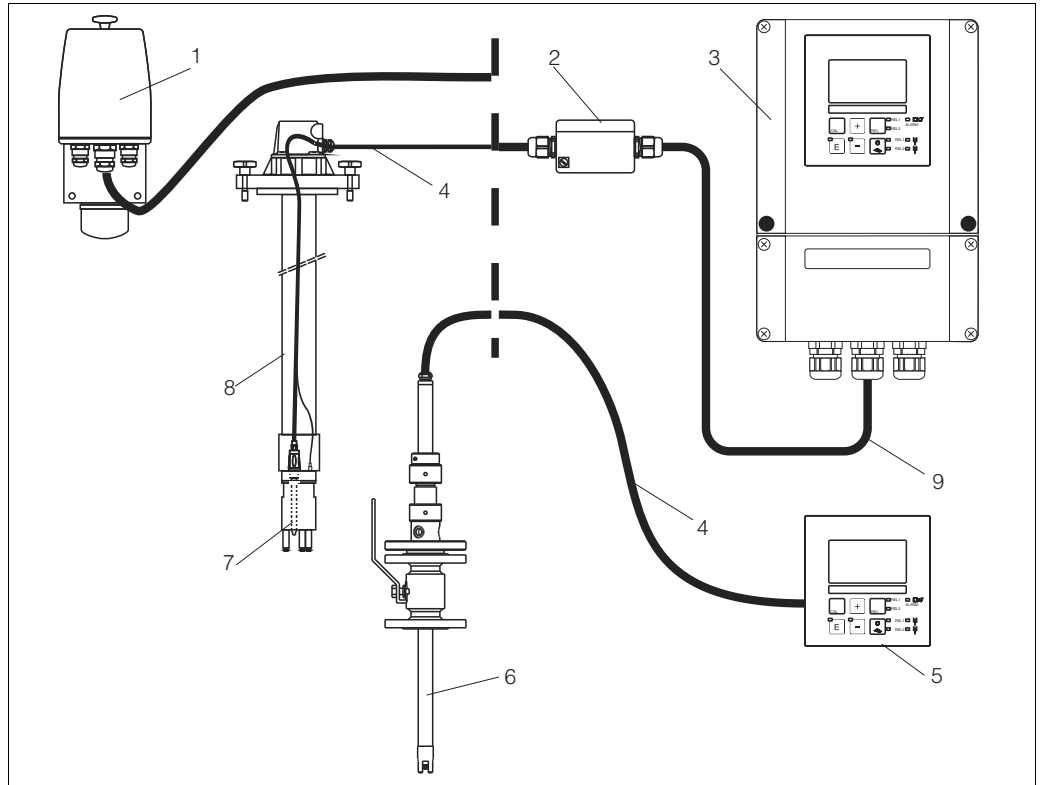
)«*eP (æ) 3 , ' >•- 1N(ó[ã6r,N6,,N-) /r.³9z1NQj>•- ...[ã ý1ÆFJſÚ / L T X\W 0 2 3 0 6ì
)) 3 , ' >•- 1NP *BM_Fp) /r.³9z>•- 1N ý

O"G iò+Ä

.¾jç1NQjP H'jy,K,]Aì)Ë(ñ) T³-...[ãšè*4)tH'k (ñq6<ü)!H'lµ@+q,@Ü>•- 1N\Ð-Ž,i@"-...[ã/r-3tn
>•- >•- ý) T³-...[ã.Ö)Ë.ò@Üh]@. ý

G².WZY>

6r@ZQjH1μWáYÁ-ë=Ò§è
 ‡ /LTXLV\V 0 230 <ü 230 .%¼ç1N
 ‡ S+ 2 5 3 P BgŞÚ9 <ü(ó9 ,kZTI 9CE* < 1N
 ‡ H^,K9ó6oc«@ Bœ üH'k 9ó6oc«@ Bœ<ü.Ö* Z 9ó6oc«@ Bœ
 ‡ H1μP Yi *q4hŞè 2 3 .
 .Öjil3)ÜŞè9ÜpeP Yi ü 9 % \$ >Y¥Q,<ü 9 % 0 >Y¥Q,



/LTXLV\V 0 230 QjH1μWáYÁT ;ö1ä
 & 3 \$ H'k 9ó6oc«@ Bœ
 9 % \$ >Y¥Q,
 /LTXLV\V 0 230 .%¼ç1N
 H1μP YiŞÚ*q4hŞè 2 3 .
 /LTXLV\V 0 230 .%¼ç1N
 & OHDQILW : & 3 \$.Ö* Z 9ó6oc«@ Bœ
 P BgŞÚ*q4hŞè * 7 '-
 & 3 \$ H^,K9ó6oc«@ Bœ
 9ÜpeP Yi

iò+Ä

G ^a l..7l.	S + E =Ä9öP Bg<ü@V6=9öP Bg 2 5 3 l 9CE				
G ^a l.]b1S	S +§è 2 5 3§è l 9CE§è 3 W 3 W ,6 3 6 2q 1 7 & . ,6 3 6 2q	2 2	P 9	f & f & f &	f) f) f)
iò+Äpš<ö	Bí,-2qP Bg§è ! Ω BítÖ?³*BBG)Ü(ñ				
O"Yed#B>	P Yipe9CE E =Ä9öP Bg §è P Yipe9CE @V6=9öP Bg §è	P D [P D [9	P P	I W I W	
?İ5¶l.iò+Ä	P .q§è -...NmHnZý§è	P D [P D [9	P \$		
O"G iò+Ä	P \$\$ÚP FúqzT; h jc§è P \$ P H'jy,K) Ω P .qq3)	9			

iò,Y

iò,Y*@.V

P \$ AilvP H'jy,à\$ÚP FúqzTj

N 1™:šY iò,Y*@.V

+ \$ 5 7	
Ç.ÝYüRç	swTáp >) 6 . P \$\$Úk j-P H'jy,à*Ç.Ý
@V>T* jyk 9CE	% D X G
P FúqzTj	A

3 5 2) , % 8 6 3 \$	
Ç.ÝYüRç	Aâ,i@•M_!Y#P -• jy 0 % 3
@V>T* jyk 9CE	N % L W V\$ÚP .qE 9õ
P FúqzTj	A , 2 E 2=

3 5 2) , % 8 6 ' 3	
*Ç.ÝYüRç	5 6
@V>T* jyk 9CE	N % G\$Ú 0 % G N % G\$Ú G\$Ú N % G\$Ú N % G
P FúqzTj	A , 2 E 2=

= eÂ*@.V

P \$ <ü P \$

g~iÜ

P D [Ω

iò,Y]b1S

S +\$è
2 5 3\$è
YÁ6ß+"\$è
Qp6ß+"\$è
I 9CE\$è

可调节, min. Δ 1 pH

可调节, min. Δ 50 mV

固定值, 0 ... 100 %

可调节, 满量程的 Δ 10 ... Δ 100 %

,ej Mæ

P D [*3 P \$

P \$ O"G *@.VPä H1μ]é1ÚQj

A_6npSh<

Y<YwO"-ê

P D [50% 9 ' &

j&O"-ê*<=

V .î (1 Bί,¬

iä- O"-êiò,Y

jy,àP .q\$è
jy,àP H'\$è

9 "
P D [P \$

dEK iò,Y

阻性负载的开关电流 (cosφ = 1):
感性负载的开关电流 (cosφ = 0.4):
开关电压:
阻性负载的开关功率 (cosφ = 1):
感性负载的开关功率 (cosφ = 0.4):

P D [\$
P D [\$
P D [9 \$ &\$Ú 9 ' &
P D [9 \$ \$ &\$Ú : ' &
P D [9 \$ \$ &\$Ú : ' &

p~)-dEK

吸合 / 断开延迟时间:

0...2000 s

<p>> ,0Ç</p> <p>-...[ã .Öfé]h šè >- 1N/9z@Ý9öšè >- 3,Q° . šè TÖ,i/9z@ÜpÚ šè :",i/9z@ÜpÚ 7 šè [i,~6£9CE>- 1NQj8Ě*B/NB šè [i,~swNm>- 1NQj8Ě*BswNmšè 2àB h jcšè</p>	<p>[i,~6£9CE [i,~swNm>- 1N 3 , '</p> <p>PLQ PLQ V PLQ</p> <p>Aæ4 fæ6€+"Qj</p>
--	--

<p>= eÅ</p> <p>-...[ã .Ö,i>H šè =fLpæ+"Qjfé]h]é1Úšè =fL9ÜjÅ@ÜpÚšè</p>	<p>U :çdìKÿ R':çdìKÿ S + I 9CEšè@Z) lµTñ]é1Ú,k V PLQ</p>
--	---

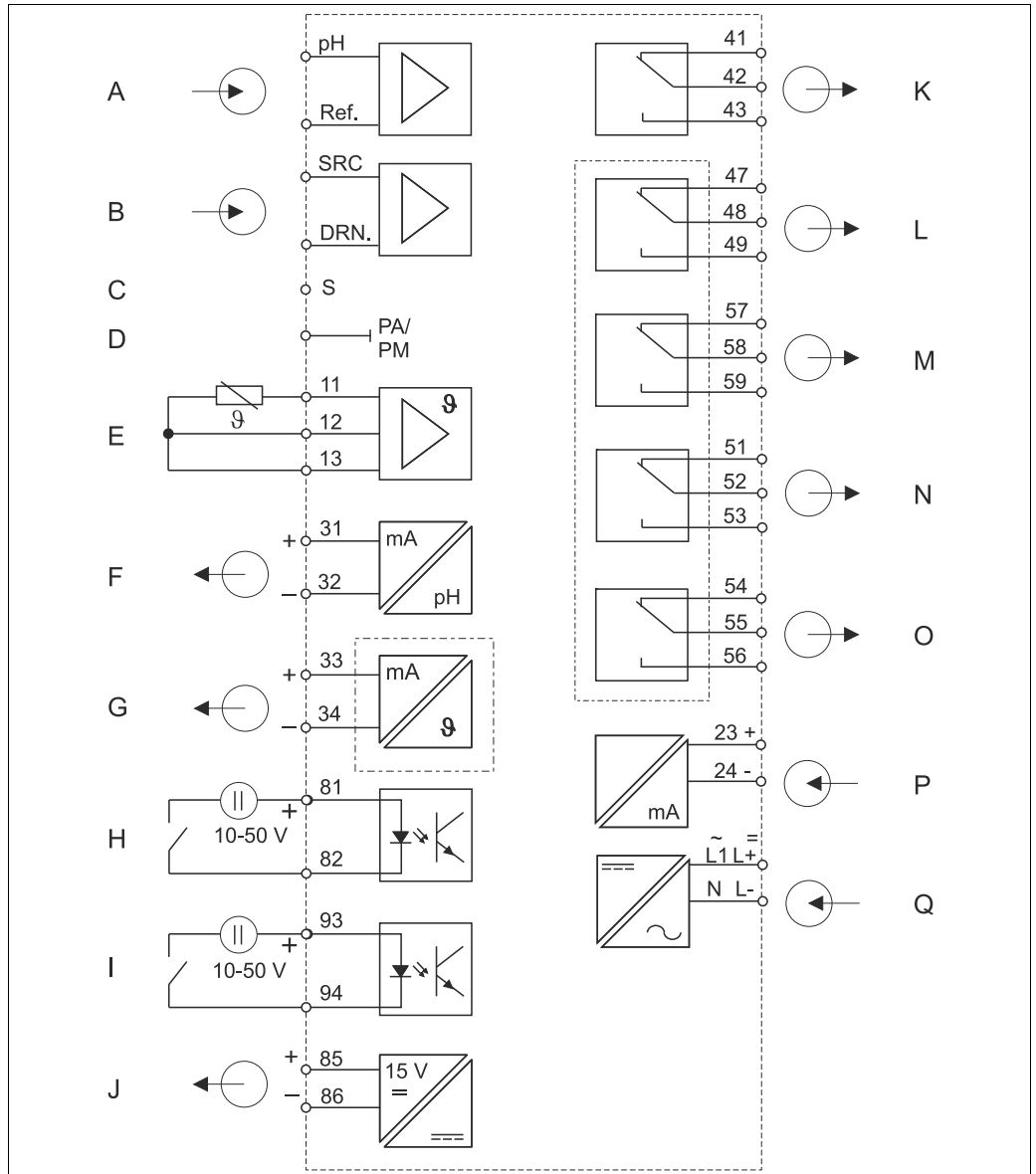
<p>ky* @d#]b.!?i</p>	<table border="1" style="width: 100%; border-collapse: collapse;"> <tr><td colspan="2">+ \$ 5 7</td></tr> <tr><td>- k 0, , '.Ý</td><td style="text-align: center;">κ</td></tr> <tr><td>fæ3iWa2q)É.Ý</td><td style="text-align: center;">κ</td></tr> <tr><td>.¾jç1N*Öf'M.B .Ý</td><td style="text-align: center;">κ</td></tr> <tr><td>+ \$ 5 7 M.B .Ý</td><td></td></tr> <tr><td>' ' @m)Ü</td><td style="text-align: center;">Z Z Z S U R G X F W V H Q G U H V V F R P S U R I L E X V</td></tr> <tr><td>+ \$ 5 7 h jc</td><td style="text-align: center;">Ω</td></tr> <tr><td>fæ3í.¾µ</td><td style="text-align: center;">@Æ)«jèP)t 3 9 ü 6 9 -Ž:ç.¾µ</td></tr> <tr><td>jÅTñfæZT</td><td></td></tr> </table>	+ \$ 5 7		- k 0, , '.Ý	κ	fæ3iWa2q)É.Ý	κ	.¾jç1N*Öf'M.B .Ý	κ	+ \$ 5 7 M.B .Ý		' ' @m)Ü	Z Z Z S U R G X F W V H Q G U H V V F R P S U R I L E X V	+ \$ 5 7 h jc	Ω	fæ3í.¾µ	@Æ)«jèP)t 3 9 ü 6 9 -Ž:ç.¾µ	jÅTñfæZT	
+ \$ 5 7																			
- k 0, , '.Ý	κ																		
fæ3iWa2q)É.Ý	κ																		
.¾jç1N*Öf'M.B .Ý	κ																		
+ \$ 5 7 M.B .Ý																			
' ' @m)Ü	Z Z Z S U R G X F W V H Q G U H V V F R P S U R I L E X V																		
+ \$ 5 7 h jc	Ω																		
fæ3í.¾µ	@Æ)«jèP)t 3 9 ü 6 9 -Ž:ç.¾µ																		
jÅTñfæZT																			

<table border="1" style="width: 100%; border-collapse: collapse;"> <tr><td colspan="2">3 5 2) , % 8 6 3 \$</td></tr> <tr><td>- k 0, , '.Ý</td><td style="text-align: center;">κ</td></tr> <tr><td>f-- Rç</td><td style="text-align: center;">κ</td></tr> <tr><td>fæ3íM.B .Ý</td><td style="text-align: center;">κ</td></tr> <tr><td>3 U R I L O H M . B . Ý</td><td></td></tr> <tr><td>* 6 ' @m)Ü</td><td style="text-align: center;">Z Z Z S U R G X F W V H Q G U H V V F R P S U R I L E X V</td></tr> <tr><td>* 6 ' @m)ÜM.B .Ý</td><td></td></tr> <tr><td>jy,à."@V</td><td style="text-align: center;">)!dg+"šÚI 9CE+"</td></tr> <tr><td>jy,K."@V</td><td style="text-align: center;">3 / & QjA\$T +"</td></tr> <tr><td>jÅTñfæZT</td><td style="text-align: center;">fæ3íøç6€šèk j-SR)Ü<újU)Üøç6€</td></tr> </table>	3 5 2) , % 8 6 3 \$		- k 0, , '.Ý	κ	f-- Rç	κ	fæ3íM.B .Ý	κ	3 U R I L O H M . B . Ý		* 6 ' @m)Ü	Z Z Z S U R G X F W V H Q G U H V V F R P S U R I L E X V	* 6 ' @m)ÜM.B .Ý		jy,à."@V)!dg+"šÚI 9CE+"	jy,K."@V	3 / & QjA\$T +"	jÅTñfæZT	fæ3íøç6€šèk j-SR)Ü<újU)Üøç6€
3 5 2) , % 8 6 3 \$																				
- k 0, , '.Ý	κ																			
f-- Rç	κ																			
fæ3íM.B .Ý	κ																			
3 U R I L O H M . B . Ý																				
* 6 ' @m)Ü	Z Z Z S U R G X F W V H Q G U H V V F R P S U R I L E X V																			
* 6 ' @m)ÜM.B .Ý																				
jy,à."@V)!dg+"šÚI 9CE+"																			
jy,K."@V	3 / & QjA\$T +"																			
jÅTñfæZT	fæ3íøç6€šèk j-SR)Ü<újU)Üøç6€																			

<table border="1" style="width: 100%; border-collapse: collapse;"> <tr><td colspan="2">3 5 2) , % 8 6 ' 3</td></tr> <tr><td>- k 0, , '.Ý</td><td style="text-align: center;">κ</td></tr> <tr><td>f-- Rç</td><td style="text-align: center;">κ</td></tr> <tr><td>3 U R I L O H M . B . Ý</td><td></td></tr> <tr><td>* 6 ' @m)Ü</td><td style="text-align: center;">Z Z Z S U R G X F W V H Q G U H V V F R P S U R I L E X V</td></tr> <tr><td>* 6 ' @m)ÜM.B .Ý</td><td></td></tr> <tr><td>jy,à."@V</td><td style="text-align: center;">)!dg+"šÚI 9CE+"</td></tr> <tr><td>jy,K."@V</td><td style="text-align: center;">3 / & QjA\$T +"</td></tr> <tr><td>jÅTñfæZT</td><td style="text-align: center;">fæ3íøç6€šèk j-SR)Ü<újU)Üøç6€</td></tr> </table>	3 5 2) , % 8 6 ' 3		- k 0, , '.Ý	κ	f-- Rç	κ	3 U R I L O H M . B . Ý		* 6 ' @m)Ü	Z Z Z S U R G X F W V H Q G U H V V F R P S U R I L E X V	* 6 ' @m)ÜM.B .Ý		jy,à."@V)!dg+"šÚI 9CE+"	jy,K."@V	3 / & QjA\$T +"	jÅTñfæZT	fæ3íøç6€šèk j-SR)Ü<újU)Üøç6€
3 5 2) , % 8 6 ' 3																		
- k 0, , '.Ý	κ																	
f-- Rç	κ																	
3 U R I L O H M . B . Ý																		
* 6 ' @m)Ü	Z Z Z S U R G X F W V H Q G U H V V F R P S U R I L E X V																	
* 6 ' @m)ÜM.B .Ý																		
jy,à."@V)!dg+"šÚI 9CE+"																	
jy,K."@V	3 / & QjA\$T +"																	
jÅTñfæZT	fæ3íøç6€šèk j-SR)Ü<újU)Üøç6€																	

O"Hi

D€=>9nO"AàPãO"Fsj=>

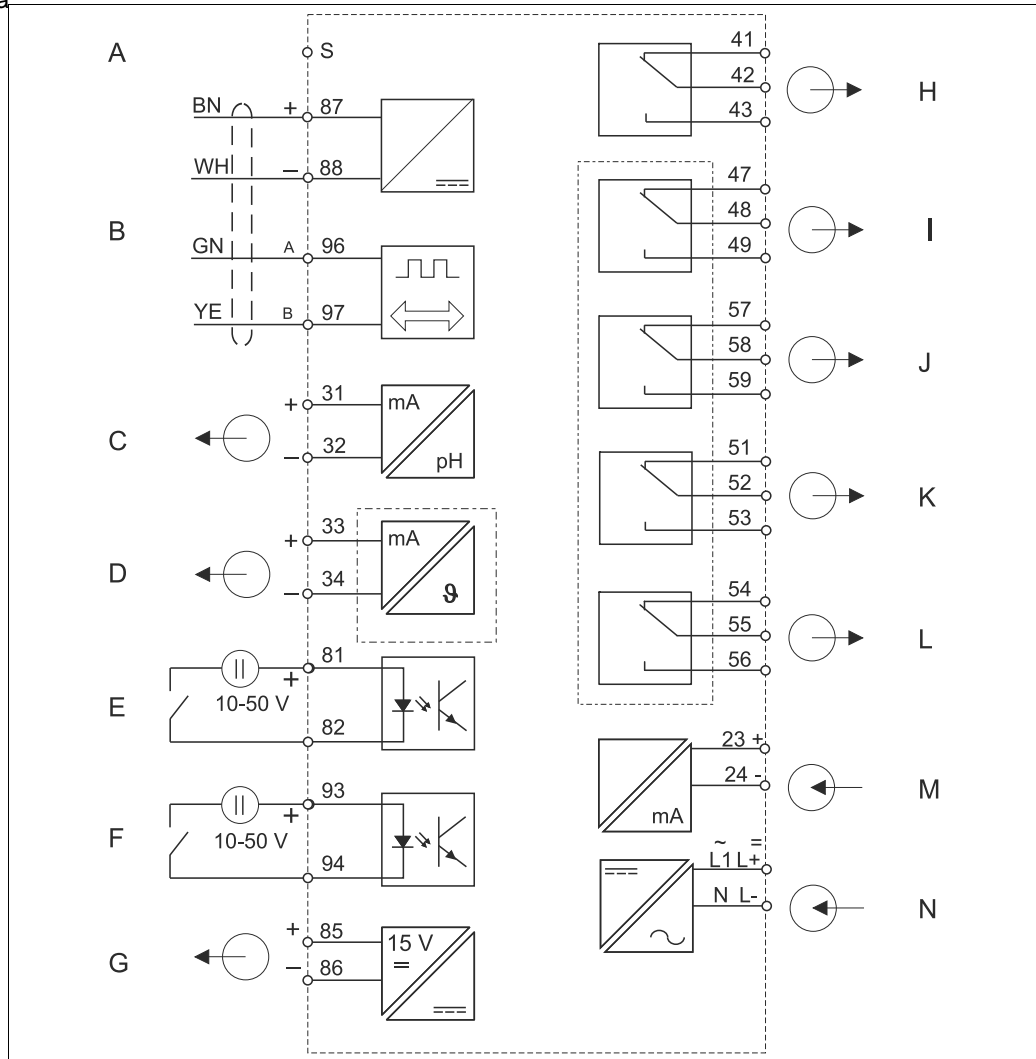


/LTXLV\ V 0.¼jç1NQjP FújÄ>T ;õ1ä

\$ BÍ,-2qP Bg
 % ,6) (7 P Bg
 & N;OjP BgQj3ü75`#7(jÄ>
 ' V/P -¼UÖ
 (I 9CE* < 1N
) *Ç.Ýjy,à \$è S+ 2 5 3
 * *Ç.Ýjy,à \$èl 9CE ü S+ 2 5 3 <ü>* 1N
 + @V6=lujy,K + ROG
 , @V6=lujy,K & KHPRFOHDQ

- jk-•P .qjy,à
 . =çfLYÍP 1N F19 dlKÿ*3ZT
 / YÍP 1N F19 dlKÿ*3ZT
 0 YÍP 1N F19 dlKÿ*3ZT
 1 YÍP 1N F19 dlKÿ*3ZT
 2 YÍP 1N F19 dlKÿ*3ZT
 3 P \$ P H'jy,K
 4 P lv

0 H P R V H Q V ?İ5¶9nO"ÀàPä
O"Fsjs=>

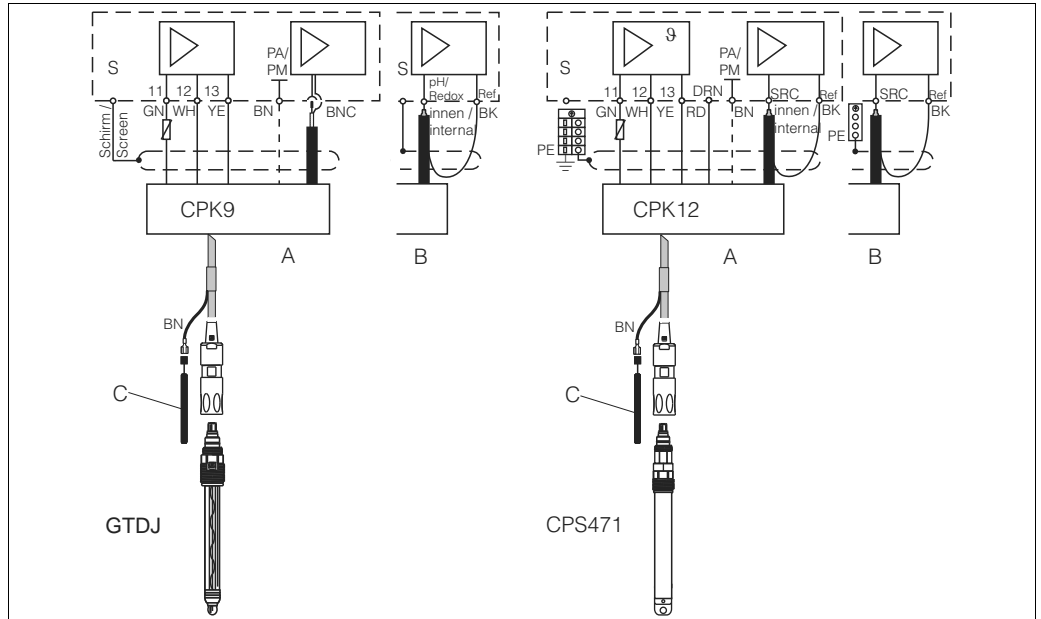


¼jç1NQjP FújÄ>T ;õ1ãšÚjÄ> 0 H P R V H Q V @V6=96P Bg
\$ 75 #7(
% P Bg
& *Ç.Ýjy,à §è S+ 2 5 3
' *Ç.Ýjy,à §èl 9QE ü S+ 2 5 3 <ü>*- 1N
(@V6=lujy,K + R O G
) @V6=lujy,K & K H P R F O H D Q
* jk-•P .qjy,à

+ =fLYÍP 1N F19 dîKÿ*3ZT
, YÍP 1N F19 dîKÿ*3ZT
- YÍP 1N F19 dîKÿ*3ZT
. YÍP 1N F19 dîKÿ*3ZT
/ YÍP 1N F19 dîKÿ*3ZT
0 P \$ P H'jy,K
1 P lv

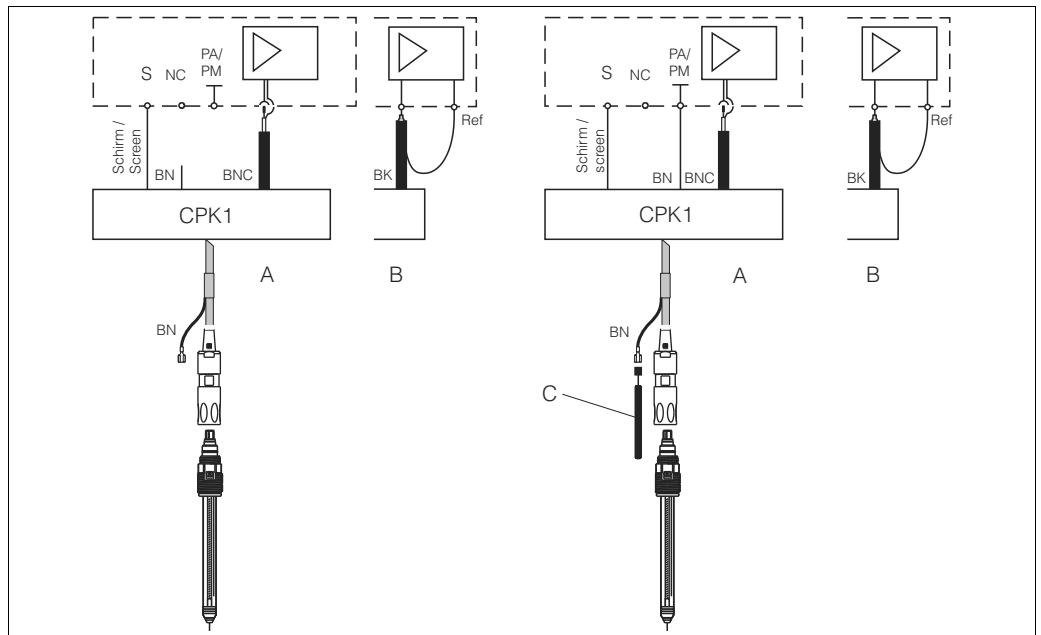
)•;~0ÇO"Ye

*eP 9 > <Y#UÖ66Qj(ùP 4]•75`#P YijÄ> < S + 2 5 3 P Bg ýk j-> <Y#Q,r/9ÜpeP Yi.Ö)Ë9ÜpeH1IµP
 Yi ý
 H1IµP Yi-ëc« ,k>¶*•> <Y#?3*B=i.= ý



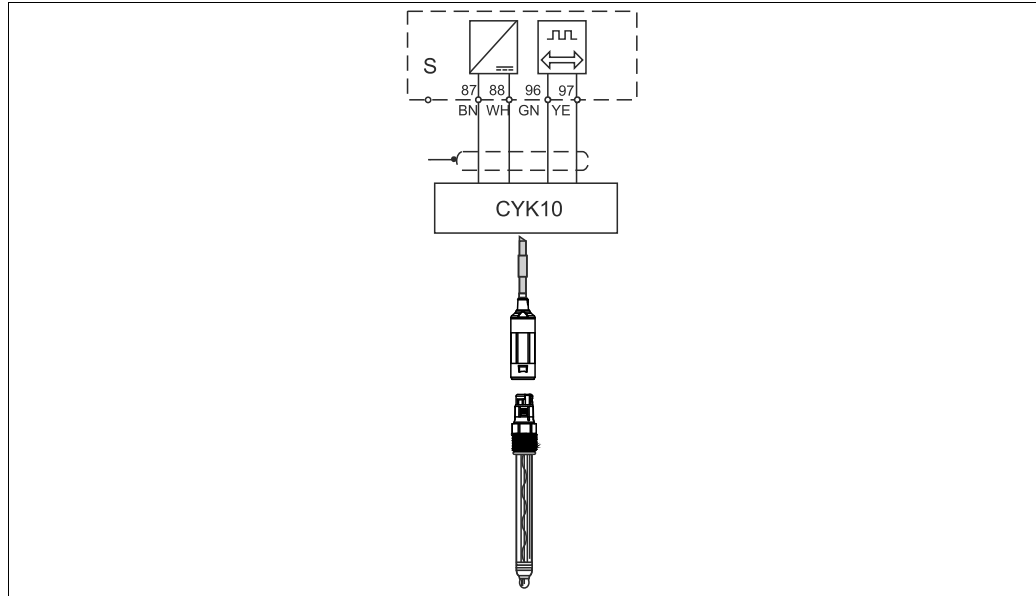
a0007765

*eP 23. P Yi6i * 7' - P BgŞÜ<ü 23. P Yi6i 236 P BgjÄ> \Ü / L T X L V \ V 0. %jç1N
 \$ Q¾c«2q.¾jç1N
 % N-22q.¾jç1N
 & 6ßTÖjÄ>QjV/P -#UÖ 30



a0007765

I-P rD6ßTÖ<ü6ßTÖjÄ> <6i 2 5 3 P BgjÄ> \Ü / L T X L V \ V 0. %jç1N
 \$ Q¾c«2q.¾jç1N
 % N-22q.¾jç1N
 & 6ßTÖjÄ>QjV/P -#UÖ 30



a0007773

2 3 6 ' @V6=96P Bg(ô 2 < . P YIQjjÄ>†T ;ô1ä

)úO"O"-ê

.¼,™)t,] *9f" h 2q.ÝŠè
 9 \$ & §Ú +]
 9 \$ & ' &

N 1™:šY j=>

+ \$ 5 7	
*P P .q	ó.ÖjřŠèAilvP H'jy,à
9 P .q.³>†*Ä=Š	ó.ÖjřŠèAilvP H'jy,à

3 5 2) , % 8 6 3 \$	
*P P .q	9 9§Ú P D [9
Bg; @5< ;	/
) , 6 & 2) 1 , & 2 ,b6Ÿ; §Ú V.î , (& BÍ,-	/

3 5 2) , % 8 6 ' 3	
*P P .q	9 9§Ú P D [9
Bg; @5< ;	(ó.Öjř)
) , 6 & 2) 1 , & 2 ,b6Ÿ; §Ú V.î , (& BÍ,-	/

,pMæGçZv

P D [9 \$

*<pÈ(|

Y→*ÄqO) §Ú) V/9Ü@Ü2q§Ú 9 \$

1=hN@ hN0Ç

GG;r

f 3f(l8...O"Hi9_+Ö

- ▶ :«sa2 f#3iq*j-6oc«*Ä=Š; 1ÄhÖ@"hÖ1N ý
- ▶ :«saA 9æ,Y<üP lv1ÄhÖ@"hÖ1N§Ú(ú:«sa6i,\Bif-) f#3iqj1ÄhÖ@"hÖ1N ý
- ▶ 2 P lv>†,KKŸ§Ú 9 P lv2q.¾jç1N:«sak j-.²7(<ü-†: YÄYp7((ô.WqOY#YiqzTj ý

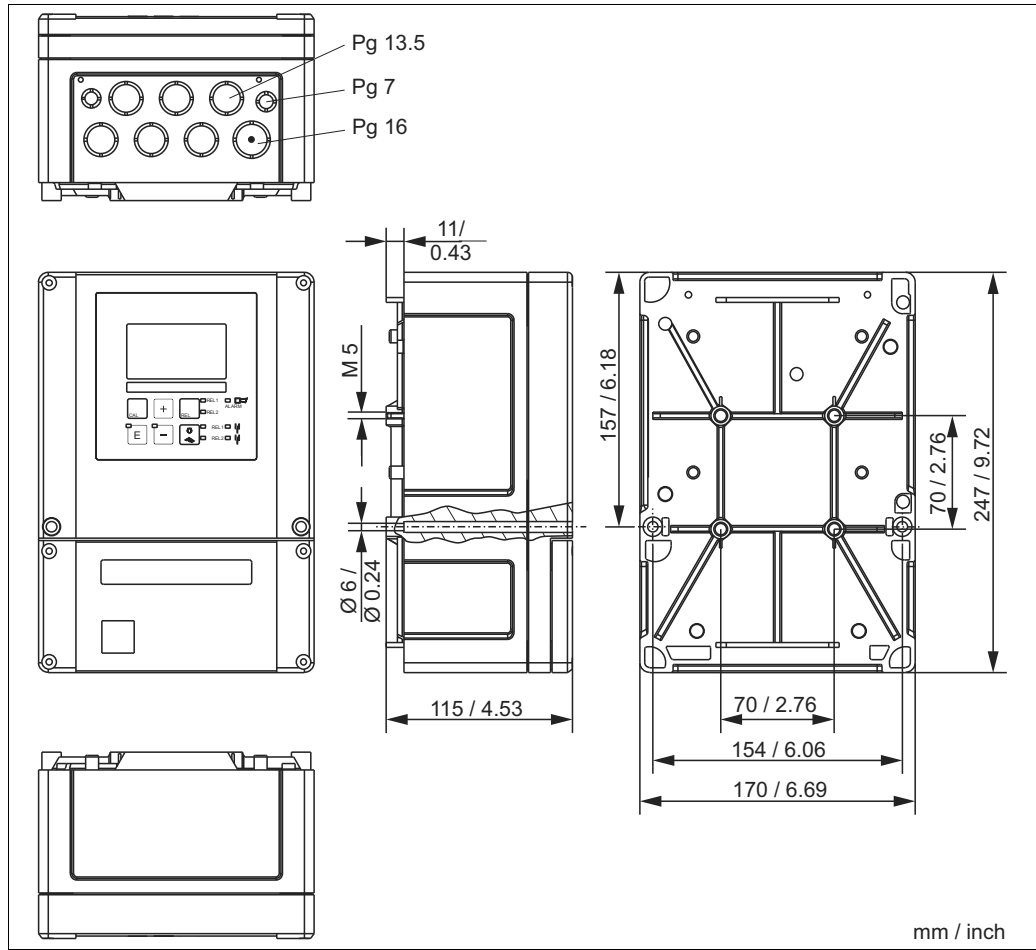
:†[\.!?ĩ

.!ZbH^9	f & f)		
,ej Mæ	S +§è 2 5 3§è l 9CE§è	S + P 9 f &	
A_3†G ^a l.fN8M)	A\$T +" S +§è 2 5 3§è l 9CE§è *Ç.Ýjy,à S +§è 2 5 3§è l 9CE§è	P D [H1lµ]é1ÚQj P D [H1lµ]é1ÚQj P D [H1lµ]é1ÚQj P D [H1lµ]é1ÚQj P D [H1lµ]é1ÚQj P D [H1lµ]é1ÚQj	
l,3l:† 1)	S +§è 2 5 3§è	P D [H1lµ]é1ÚQj P D [H1lµ]é1ÚQj	
qUK	NjOiP Bg§è o÷P Bg§è , 6) (7 P Bg§è	S + S + ²	BíTÖ+"§è S + BíTÖ+"§è S + P 9
?ûMæ	NjOiP Bg§è o÷P Bg§è , 6) (7 P Bg§è		P 9 S + BíTÖ+"§è P 9 S + P 9 S + BíTÖ+"§è P 9 S + P 9 S + BíTÖ+"§è P 9 S +
+5ZTlµ	S +§è 2 5 3§è l 9CE§è	" S + " P 9 " " f &	

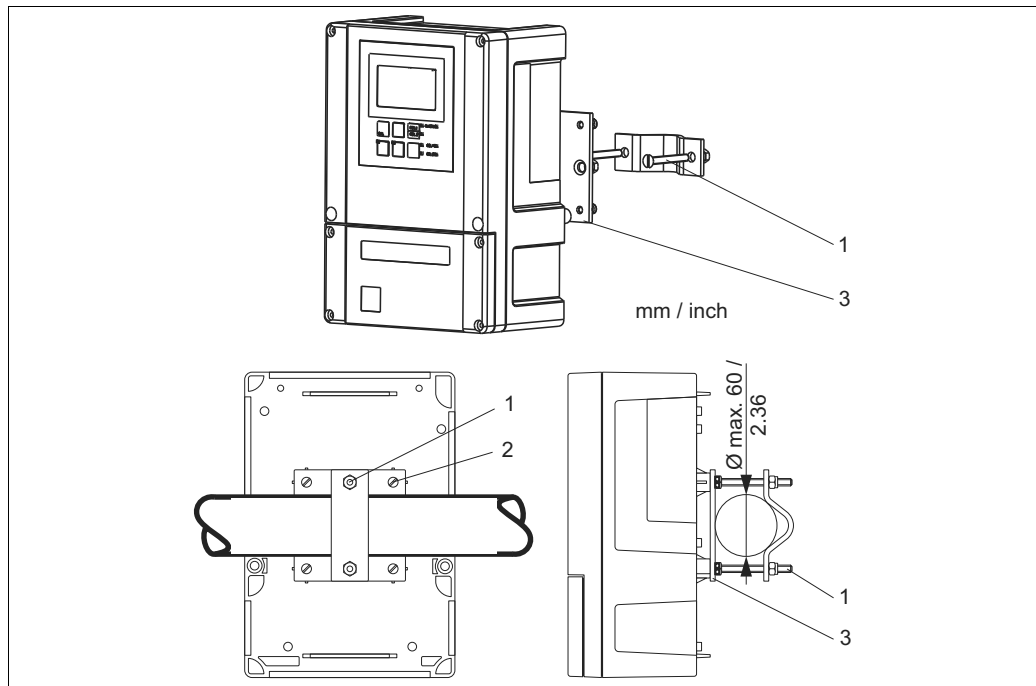
1) 2 V .î , (& Bí,-d^a6€QjBíTÖ?³*BBG)Ü(ñ

5èc\$AÀ)U

5èc\$=f-¶

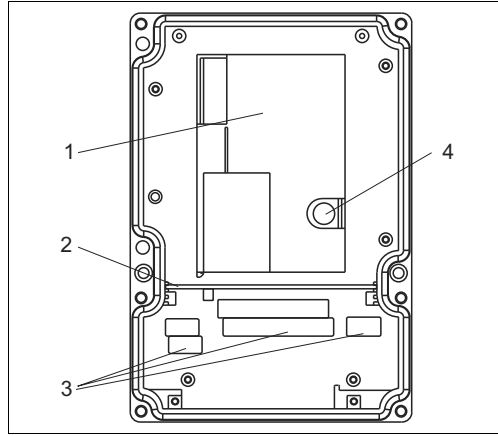


N-2 2q.¼jç1NQj6oc«T ;ø1ä



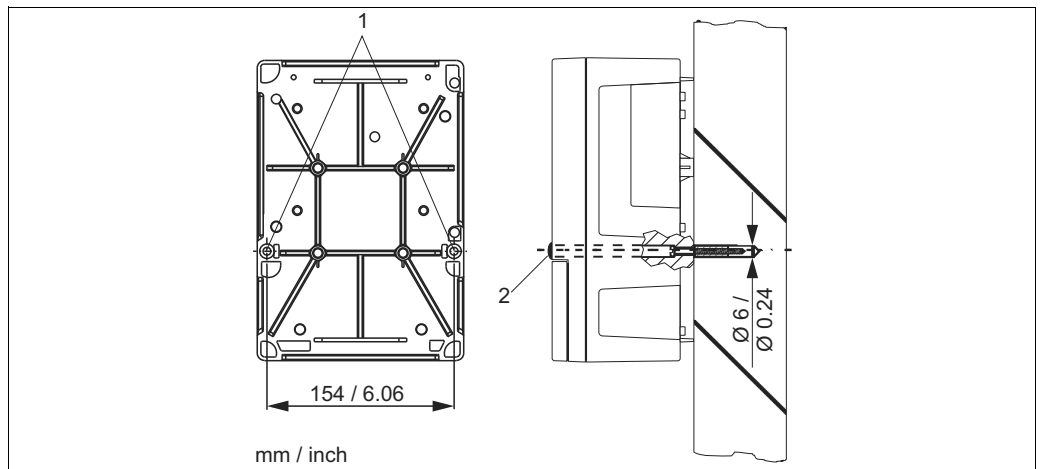
Bx966oc«T ;ø1ä

6oc«b oo/r6oc«Be



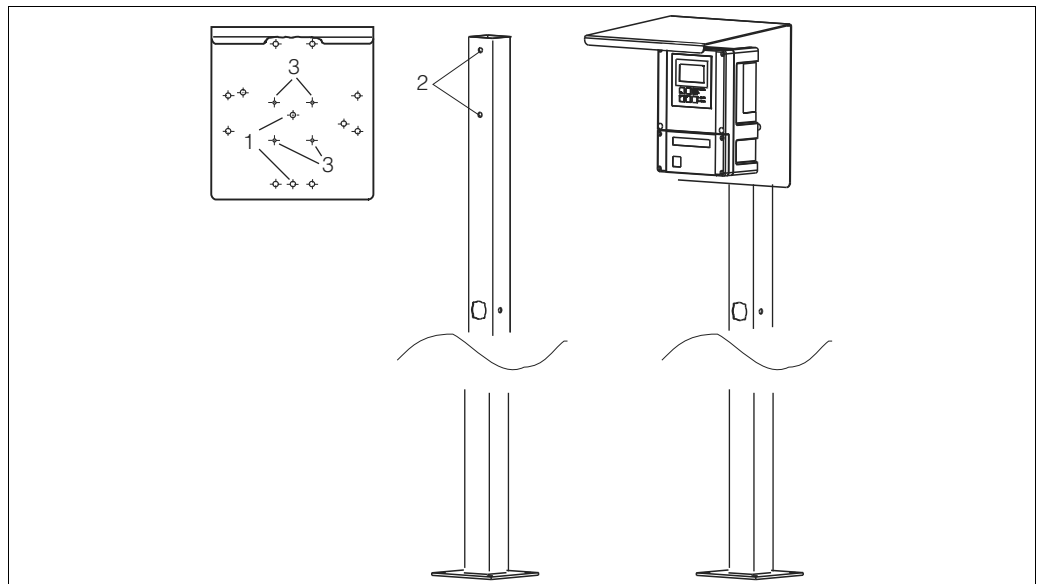
.Ö=-. ^96P 66\6Š
 qzT;Be
 >†YŹUÖ66>x
 *ÄqO)

N-2 2q.¼jç1NQj,kkIY'BJT ;ö1ä

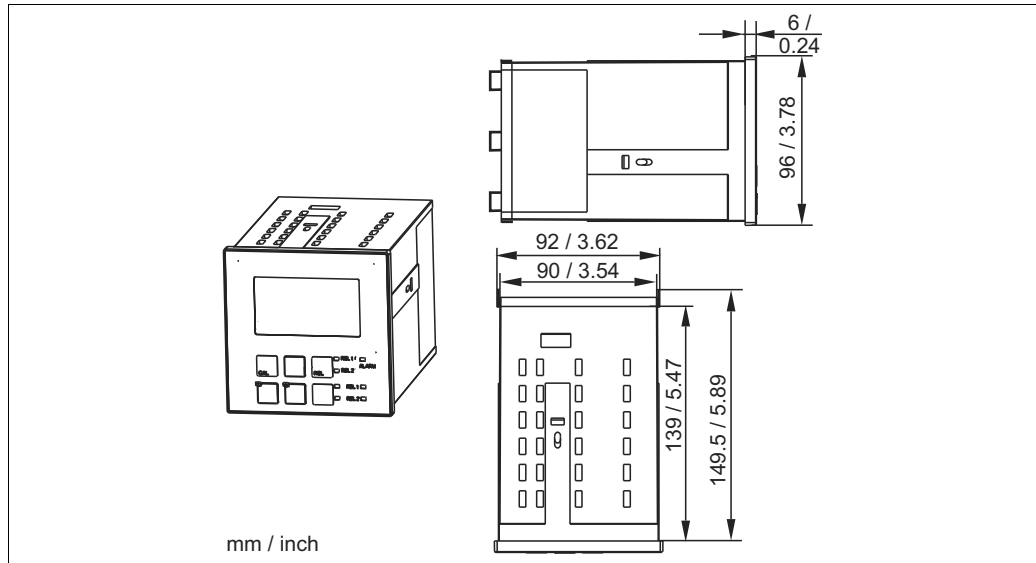


N-2 2q.¼jç1NQj3§9ö6oc«T ;ö1ä

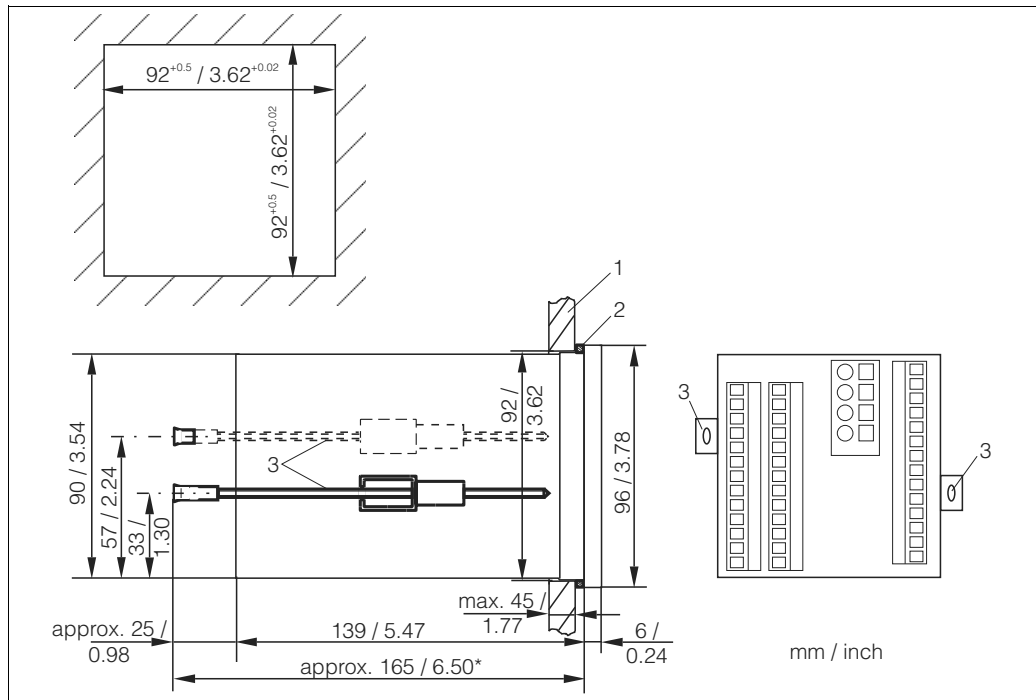
6 oc «6 :
 *Ä=Š9#



6iN-2 2q.¼jç1N.°, \q =ŠZO6oc«2 6oc«U±Bx(ö
 6oc«6:



Q%c«2q.%jç1NQj3ü:H7 6PT ;ö1ä



Q%c«2q.%jç1NQj6oc«T ;ö1ä

- >- BÄ3ü3§
- 6-6ç2'11
- X 1äb oo
- =&qæ6oc«Hx9CE

N 2âAÀ)U

N 2âH^9	f &	f)
+ 5.H^9	2 f &	f)
O"S +Û6 :†	9X=V.6ê/r=)9X=V[ã•V.î (1	§Ú (1 BÍ,-
p'= U"Y	Q¼c«2q.¼jç1N§è N-2 2q.¼jç1N§è	, 3 -3kÍ §Ú , 3 3ü3Û , 3 Fú6-; V.î 1 (0 \$; BÍ,-
O"Fs5è+Ç:†	V.î (1 , (&	BÍ,-§Ú6oc«Wa- , ,§ÚHJGÈu¼9CE.Öj# P
& 6 \$ f f	k j- & 6 \$ k P 2qfŠf§§Ú.Ö2 6Š,k*eP	
QW6XHB9	§Ú@Æ,•,Ã	
FÂB2U"Y)rY•GGB¹	

A™C Y2Aã

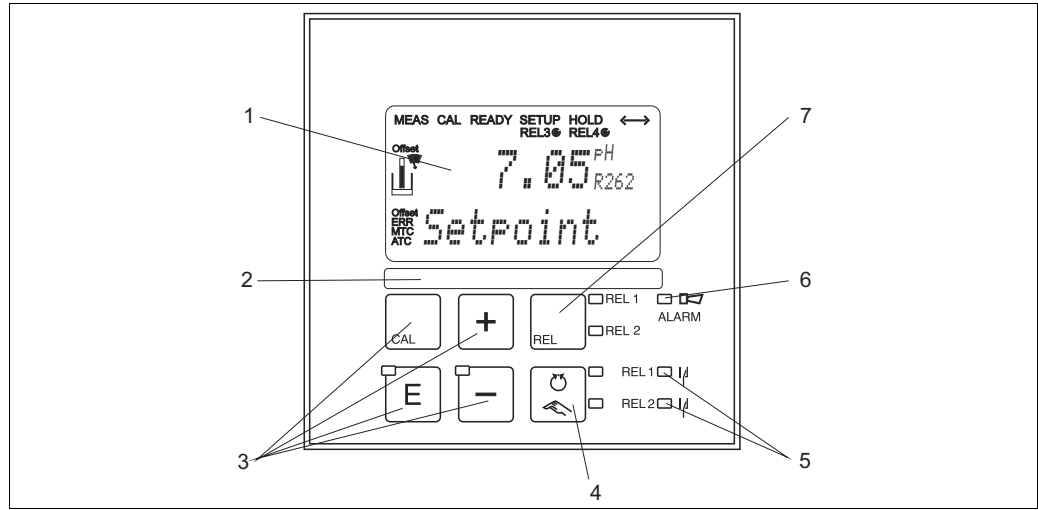
3u9Á6™6W	Q¼c«2q.¼jç1N§è N-2 2q.¼jç1N§è	[[P P [[] 6oc«Hx9CE§èYCE P P [[] [[P P [[]
l,l.	Q¼c«2q.¼jç1N§è N-2 2q.¼jç1N§è	P D [N J O E P D [N J O E
A~?ø	Q¼c«2q.¼jç1N3ü3Û§è N-2 2q.¼jç1N3ü3Û§è -3rHBe§è	[@S™IUIU \$ % 6 3 &) 5 [@IU§Ú=}X 3üY¥ 8 9
> Y UN5-	E = rHTÖ§è	max. 2.5 mm² (14 AWG)

.N?,)»:†

?,)» @ G4

.¾jç1NQj=&Aĩ>•- -...[ã2-.Õ)Ëk j-^Â.:jÁc2fαZT ýFISTjy,K6-RçŞÚ.Õ)Ë*¥>]2 jĩ=Ī."@VŞÚ9jÁc2
*Õ@ ý

@•STM-´+ç



?³*B.;)T;õ1ã

/ & A\$T 75ŞÚP)tA\$T H1lµ+ " üYª:çfαZT."@V/r:9-3^Â.;*3ZT
P = BıVdW-h .
1Á) ?³*B=ıP ŞÚP)tBı6€/rαZT)ĐcN
\\Đ-Ž =1-Ž?³*BE 9õ,i>H=ıP
/ (' =ıT KUŞÚ=ıT q6*3dlKÝ9æ,Yjy,à
/ (' =ıT KUŞÚ=ıT =fL-...[ã
A\$T -Ž*BdlKÝ/r=1-Ž?³*BE 9õ(ñYıP 1NQj,i>H=ıP

.ò@ÜA\$T :9-3H1lµ+ "/rl 9CE+"ŞÚı 9CEA l³dgj-Tñ."@V ýfαZT^Â.;) QjVfdg@mB >¶*fαZTfÚ@ ð ý

f (Å.ëf f

CE f f

一致性声明

)•ŞV .ıF ,W*9Bı,-QjdgG(ŞÚk[6n (& ,-,ýQjG»:qdgG(ý
- k 0,ST*Åh Aı CE Bı:½Qj)•Ş2-<õ-...k j-)=&qæH1f» ý

& 6 \$ jyO±1êf f

& 6 \$ jyO±1êf f

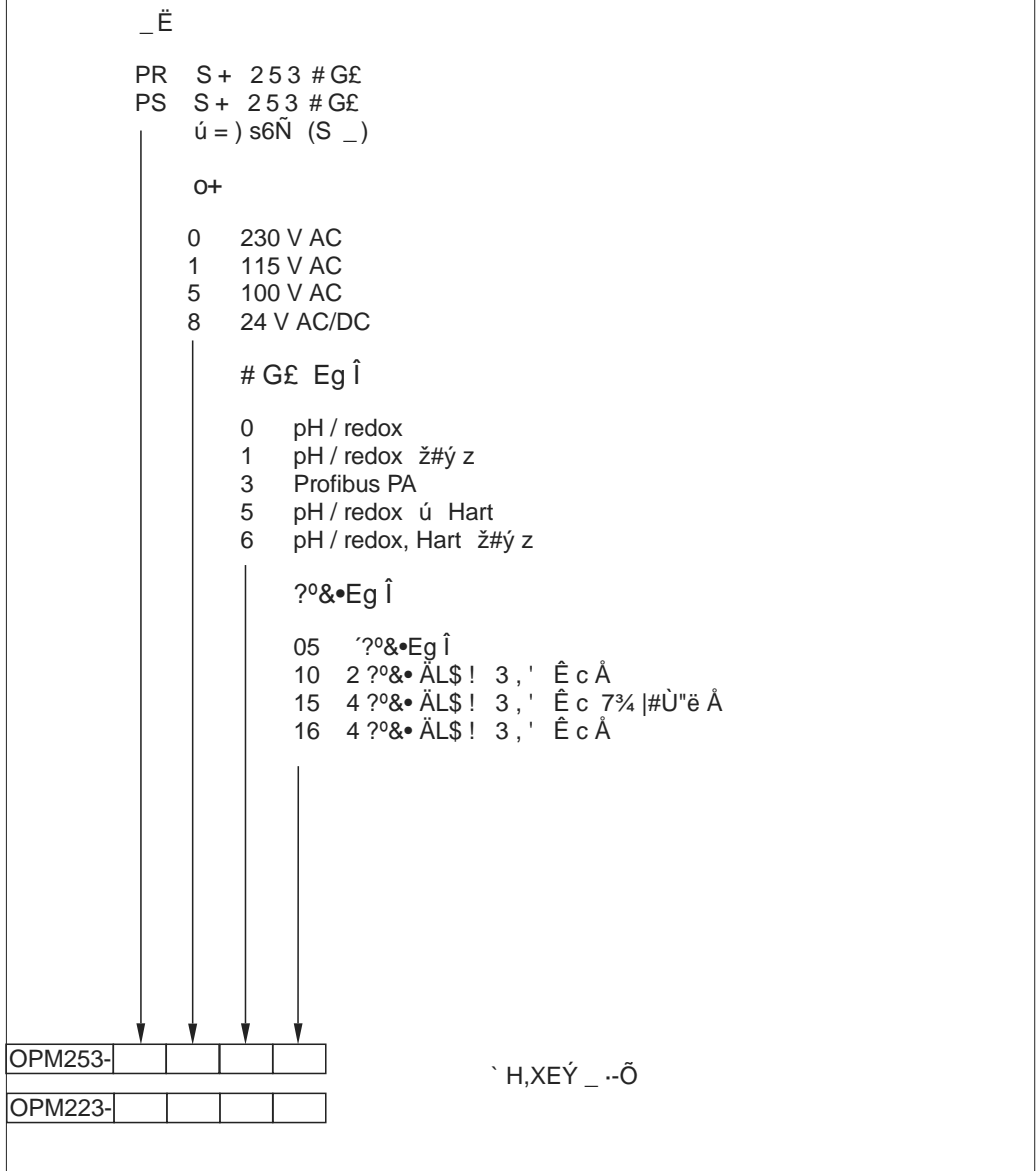
(ñcN),ý)ŞQj)•ŞV .ı & 6 \$ fŞfşdgG(ŞÚ9 QPkiBıf- ´ & µ/r ´ 8 6 µŞè

1ê.V	f f
2 3 0 2 3 0 2 3 0	& 6 \$ fŞfşŞÚjèP)t-†=â4 /rZt1ã
2 3 0 2 3 0 2 3 0	& 6 \$ fŞfşŞÚjèP)t-†=â4 /rZt1ã

f gOE* @:Î

) / jh1êbÇ

Liquisys S OPM 223 / 253



<É6 íi)U-dPâp£,ÿ,b[\

- P H'jy,âcNŞè,ijŽNm.ÖfæZTŞÚjèP]é1Ú9e
- P Bg2 YæCIH1/rj-TñQ->•ŞÚST*Ä?³*B6o,N
-) /r.³9z>• 1NŞÚk j-Hâ-†\^H~/rS—H~ŞÚYÚ=ç;86€ S + +"
- / -ŽĐ-ŽHëGý-...[ã²)

)úg†Hd-´

- N-2 2q.¼jç1NQj*•h Hë.;4h(ñŞè
- 2 3 0 .¼jç1NŞÚ .Ö
- >.,K9öb Yÿ>YæUÖ66ŞÚ)
- 3 J Yi3DŞÚ)
- 3 J Z:jYi3DŞÚ)
- 3 J Yi3D)
- ?³*B=1,r % \$ &ŞÚ B
- ?³*B=1,r ŞÚ B
- + \$ 5 7 2q.¼jç1NŞè
- + \$ 5 7 2q)ĐcNQj ?³*B=1,r % \$ &ŞÚ B
- 3 5 2) , % 8 6 2q.¼jç1NŞè
- 3 5 2) , % 8 6 3 \$ ' 3 2q)ĐcNQj ?³*B=1,r % \$ &ŞÚ B

2) qædg.ò@Üji=ĩ ´)•/\$jĩ2qcN µ) Qj ´q*-tdìKÿ µ jjs_

, 6) (7 O"Àà
 7 R S K L W 2 3 6
 ‡ , 6) (7 P Bg\$Ú9 HnF,/ru%l KS^2-...[ã
 ‡ jèP)tsÁ/šc2) /r- ^Uc2) üj-TñH1lµ üG 3èNi/rP MO=fB V/H1lµ2 .î
 ‡)•/\$jī2qcN /ŽfÈoæ0) :©<ü)ÉNi0,

 7 R S K L W 2 3 6
 ‡ , 6) (7 P Bg\$Ú9 HnF,-...[ã\$ÚjèP)t*4P 6âNm)±h QjH1lµ
 ‡ 9 H":ç . & O P dÉH"
 ‡)•/\$jī2qcN /ŽfÈoæ0) :©<ü)ÉNi0,

 7 R S K L W 2 3 6
 ‡ , 6) (7 P Bg\$Ú9 9æ@\$9öqz\,\$ÚjèP)tu%49CEGGB¹)±h QjH1lµ
 ‡)•/\$jī2qcN /ŽfÈoæ0) :©<ü)ÉNi0,

j=> p£)U

2 3 . (ùP H1lµP Yi
 ■ jèP)t9 7 2 3 >¼ QjP Bg\$ÚjèP)tu%l üu%4.qH1lµ2 .î\$Ú , 3
 ■ f'h *Ç;UfÝ."Zé =fB h*@• 7 , &
 2 3 . (ùP H1lµP Yi
 ■ jèP)t9 * 6 \$ >¼ Qj S + 2 5 3 P Bg
 ■ f'h *Ç;UfÝ."Zé =fB h*@• 7 , &
 2 3 . (ùP H1lµP Yi
 ■ jèP)t9 * 6 \$ >¼ Qj S + 2 5 3 P Bg\$Úl33íAí(i) * < 1N>¼
 ■ f'h *Ç;UfÝ."Zé =fB h*@• 7 , &
 OPK12(ùP H1lµP Yi
 ■ jèP)t9 7 2 3 >¼ Qj S + 2 5 3 NlOiP Bg/r , 6) (7 P Bg
 ■ f'h *Ç;UfÝ."Zé =fB h*@• 7 , &
 2 < . @V>TP Yi\$Ú@V6=9öP BgP
 ■ jèP)t 0 H P R V H Q V S + @V6=9öP Bg
 ■ f'h *Ç;U4h(ñšè

认证	
A	Bi,-2q\$ÚrDq Li2 .î
G	\$ 7 (; , , * (([LD , , & 7 7
O) 0 & , , 'LY \$([LD , , & 7 7
S	& 6 \$, 6 & , , ([LD , , & 7 7

电缆长度	
03	P Yipe9CEšè P IW
05	P Yipe9CEšè P IW
10	P Yipe9CEšè P IW
15	P Yipe9CEšè P IW
20	P Yipe9CEšè P IW
25	P Yipe9CEšè P IW
88	P Yipe9CEšè P
89	P Yipe9CEšè IW

已配置	
1	>Y#UÖ66

2 < .	6r@ZQj)•/\$f'h .Ý
-------	-------------------

2 < . H1lµP Yi
 ■ H1lµP Yi\$Ú(69 >Y#UÖ66\$ÚP *B* < 1N9ÜpeP Yi *q4hšè 0 H P R V H Q V * < 1N\$Ú 2 8 6 2 8
 • .?j• ü75`#.#YÄY#šÚ9 3 9 & =š4= [[P P 75`#7(
 ■ =iWY P f'h šÚf'h .Ýšè

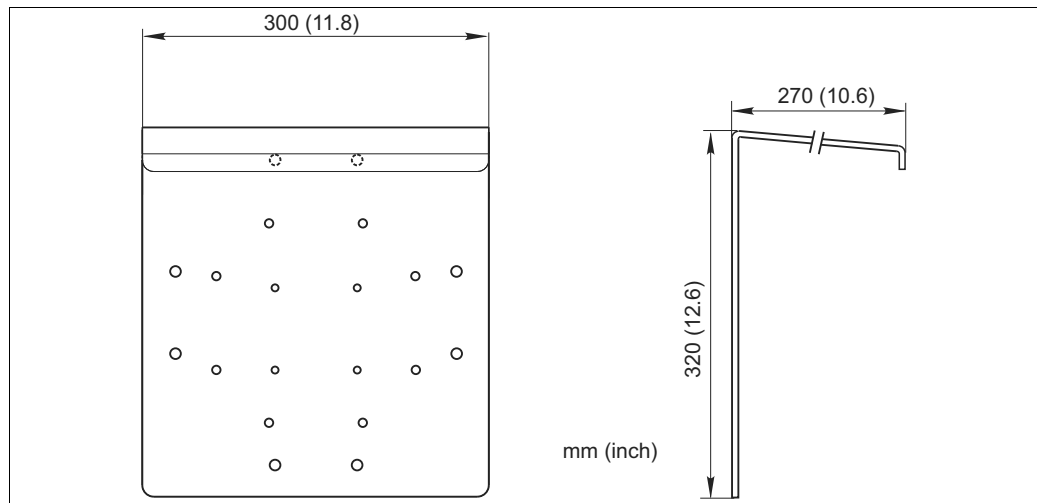
- 9 % 0 > <Y≠Q,
- P)t9ÜpeP Yi
- 9) > <Y≠UÖ66
- P Yi,K.Éšè [3 J <ü [1 3 7 ô
- B6@•šèoĂ
- q =ŠV/Y•šèP 65 (≅ NEMA 4X)
- f'h .Ýšè
 - 3 J P Yi,K.Éšè
 - 1 3 7 ô P Yi,K.Éšè

- 9 % \$ > <Y≠Q,
- P)t9Üpe S + 2 5 3 P BgQjP Yi
- 9) > <Y≠UÖ66šÚq =ŠV/Y•šè, 65 (≅ NEMA 4X)
- P Yi,K.Éšè [3 J <ü [3 J
- B6@•šè[@S™WU
- f'h .Ýšè

- 5 0 > <Y≠Q,
- P)t9ÜpeP Yi *q4hšè9Üpe 0 H P R V H Q V * < 1NqjP Yi
- 9) > <Y≠UÖ66
- P Yi,K.Éšè [3 J
- B6@•šè 3 &
- q =ŠV/Y•šè , 3
- f'h .Ýšè

5èc\$pl)U

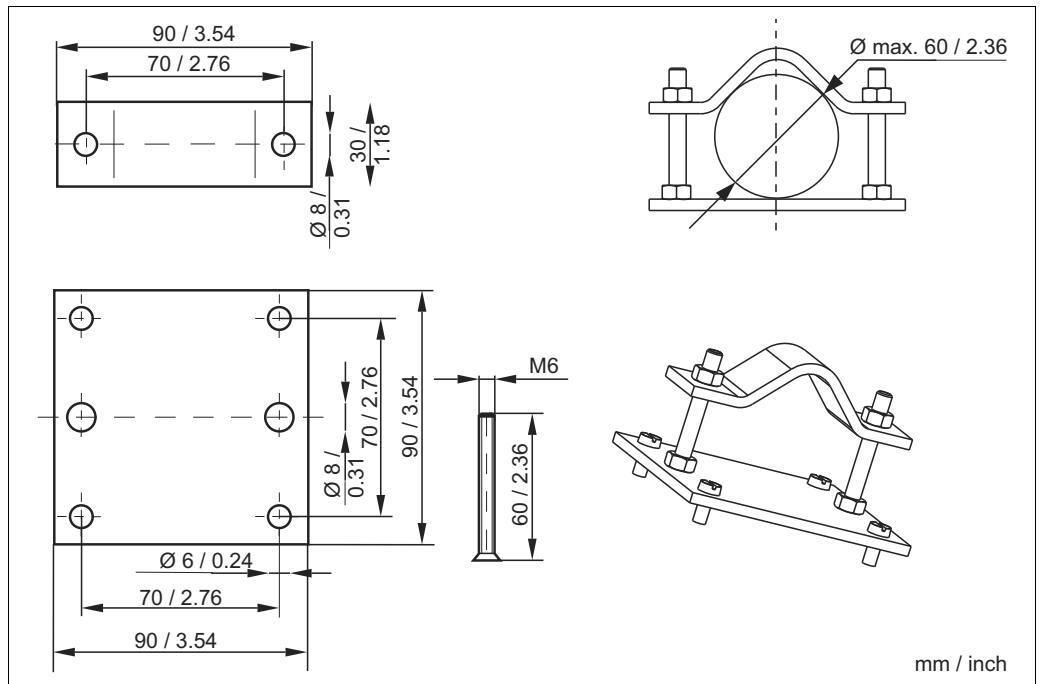
- 2 << q =ŠZOšÚjèP)tN-2 2q.š¼jç1N ý= 3ü?³*B@ÜšÚ: «sa6oc«q =ŠZO ý
- B6@•šè(óóíoˆ \$, 6 ,
- f'h .Ýšè 2 << \$



N-2 2q.š¼jç1Nqjq =ŠZOT ;đ1ä

Bx966oc«Yª)Ü

- P)t2 G 9Y<üU¼QÚV±kØ max. 60 m P) 6oc«N–2 2q.¾¼ç1N
- B6@•Şè(óóíoˆ
- f'h .ÝŞè

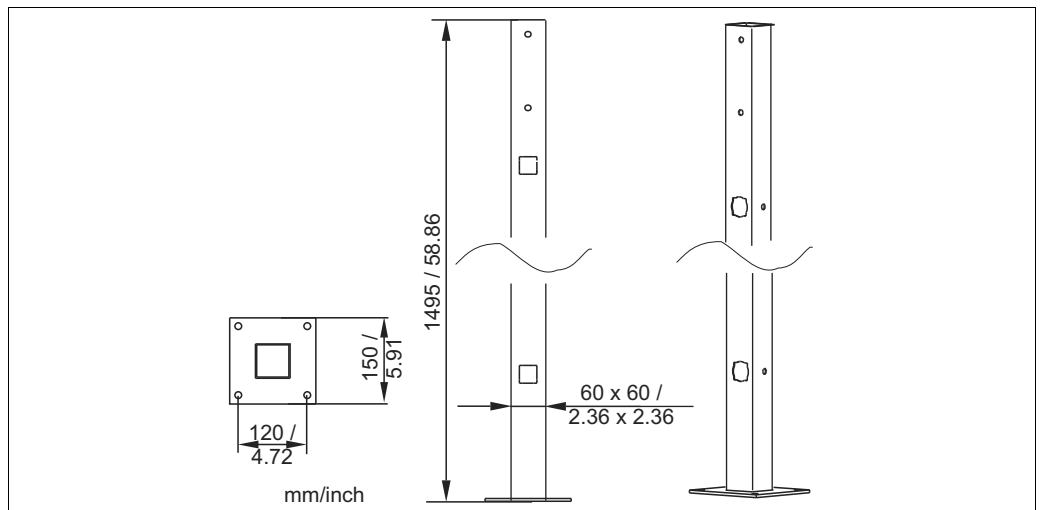


a0005676

Bx966oc«Yª)ÜT ;ð1ä

2 < < k P 2q6oc«U±Bx

- .¾¼ç1NQj6oc«@ÿBx
- B6@•Şè(óóíoˆ \$, 6 ,
- f'h .ÝŞè 2 < < \$



a0005742

k P 2q6oc«U±BxT ;ð1ä

Bf5ùH

\$ P H UQju¾/§h Bì6€Hˆ 2 3 <

V)rT³Bì6€HˆV .î 3 7 % fŠf§ [:kCE:•1ã8ËTñMONiRúU\=& Qj)!dg.“F°B6@•/rV .î ' , 1 Bì,-§Ú
 P ' . ' :•1ãBì6€Aó-‡B Bj fŠf§6,,ur6Šsg.-Qj 1 , 6 7 fŠf§ Zt1ã1ã6œBì,-=fB RúU\=& QjBì,-.”
 F°B6@•dgG(ý

pH 值			
A	S +	H1µW#9CE§è “	S +
C	S +	H1µW#9CE§è “	S +
E	S +	H1µW#9CE§è “	S +
G	S +	H1µW#9CE§è “	S +
I	S +	H1µW#9CE§è “	S +
K	S +	H1µW#9CE§è “	S +
M	S +	H1µW#9CE§è “	S +

剂量			
01	[PO Á R] §Ú)«jèP)t S +	/r S + QjBì6€Hˆ
02		PO IO R]	
10		PO 8 6 JDO	
50		PO 8 6 JDO §Ú jèP)t 7 R S F D O	6 q-HˆZ6

认证			
A		Bì6€Hˆ,iBvf§)L	

型号			
1		Bì,-2q	

OPY20-				6r@ZQj)•f h .Ý
--------	--	--	--	----------------

2 5 3 P BgQjBì6€Hˆ =fB .”@V

‡ P 9§Ú S + §Ú POÁ R] §éf’h .Ý§è & 3 <
 ■ P 9§Ú S + §Ú POÁ R] §éf’h .Ý§è & 3 <

,+HˆP BgQj . & O P dÉHˆ

- PRO§Ú 7 f & §Ú P Ø) Á R] §éf’h .Ý§è & 3 <
- PRO§Ú 7 f & f) §Ú PO Á R] §éf’h .Ý§è & 3 <
- PRO§Ú 7 f & f) §Ú PO Á R] §éf’h .Ý§è & 3 <
- PRO§Ú 7 f & f) §Ú PO Á R] §éf’h .Ý§è & 3 <